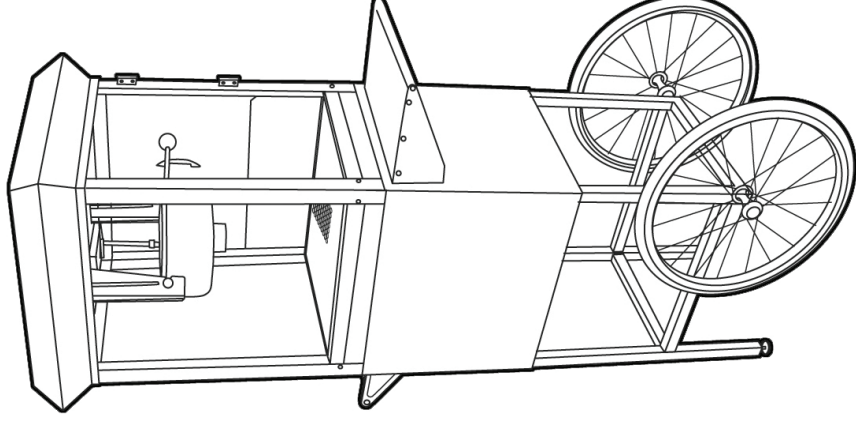




POPCORN MAKER



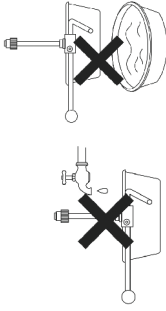
INSTRUCTION MANUAL
(For AC 120V)

POPCORN400101M_SD120_06

IMPORTANT SAFEGUARDS

When using any electrical appliance, basic safety precautions should always be followed, including the following:

1. **READ ALL INSTRUCTIONS BEFORE USING YOUR POPCORN MACHINE.**
2. Do not touch hot surfaces. Always use handles or knobs to operate.
3. To avoid any risk of electrical shock, do not immerse cord or plug into water or other liquid.
4. Close supervision is necessary when popper is being used by or near children.
5. Unplug main power cord from outlet while not in use and before cleaning.
6. Allow HOT parts to cool down before maneuvering.
7. Do not operate the appliance if the cord or plug is damaged, or if machine is malfunctioning or damaged. Send the unit to the nearest authorized service center for examination and repair. (ONLY authorized technicians should open up the unit).
8. Using any accessories or attachments not originally provided or recommended by manufacturer may result in injury.
9. Do not pop kernels with a dry pot (without oil).
10. Do not immerse popping pot in water.
11. Pot surface is HOT and should NOT be touched during popping or just after use.
12. Unplug, clean and cover the unit and store in a dry, safe place while not in use.
13. Do not leave power cord hanging over edge of table or counter or touching any hot surfaces.
14. Do not place the unit on or near a hot gas or electric burner or in a heated oven.
15. Extreme caution must be paid when moving the appliance if hot oil or hot liquids are present.
16. Turn ALL switches to "OFF" position before disconnecting power plug from the wall supply outlet.
17. Not recommended for outdoor use.
18. Do not use appliance for other than indicated usage.
19. To avoid overheating, always add oil first and then kernels before operating.
20. Extreme caution must be paid when unloading popcorn.
Use caution so that residual hot oil or water does not come into contact with skin, as burns may occur.
21. KEEP OUT OF REACH OF CHILDREN.
22. DO NOT CLEAN USING ANY ABRASIVE MATERIAL.
23. NEVER FORCE ANY PARTS OR BRACKETS INTO POSITION.
24. NO PARTS ARE INTENDED FOR THE DISHWASHER.



**SAVE THESE INSTRUCTIONS
FOR HOUSEHOLD USE ONLY**

POPCORN MACHINE

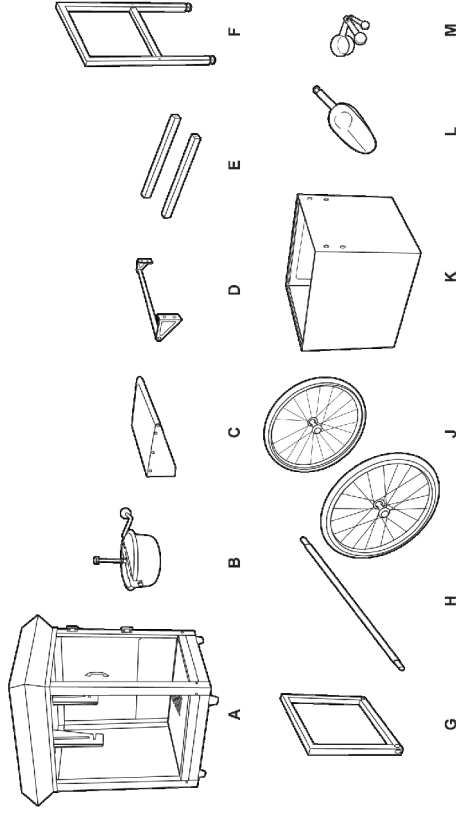
UE40010

Model no. & Specifications:

Model no.: UE40010
Voltage : AC 120V~60Hz
Input Power : 860W

Please read this user manual carefully before assembling and using.

Assembly Manual



- A. Main unit x 1 pc
- B. Popping pot x 1 pc
- C. Working platform x 1 pc
- D. Hand rail x 1 pc
- E. Square pole x 2 pcs
- F. Long stand x 1 set
- G. Short stand x 1 set
- H. Wheel axis x 1 pc
- J. Wheels x 2 pcs
- K. Storage cabinet x 1 pc
- L. Popcorn scoop x 1 pc
- M. Kernel scoop + Oil scoop set
- N. Parts x 1 box include:
 - (Package A) plated bolts x 8 pcs. + nuts x 8 pcs. + washers x 8 pcs.
 - (Package B) bolts x 8 pcs. + washers x 4 pcs.,
 - (Package C) nuts with round cap x 2 pcs. + washers x 2 pcs.
 - (Package D) wrench x 2 pcs.

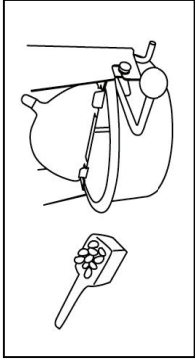


Fig. 1

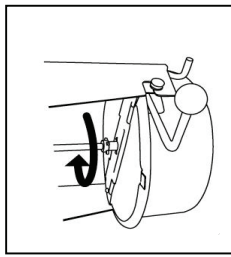


Fig. 2

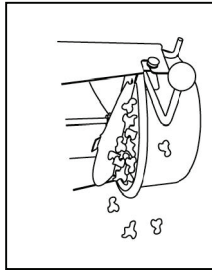


Fig. 3

Fig. 4

Cleaning and Maintenance

To avoid burning or smoking of excess amounts of oil from the bottom of the kettle, we recommend cleaning the kettle after every 3-4 uses.

After using the popcorn machine, users should clean the main unit using a wet towel, including cart surfaces and windows; empty the old maid tray to prevent the growth of bacteria.

Quick Cleaning Procedure:

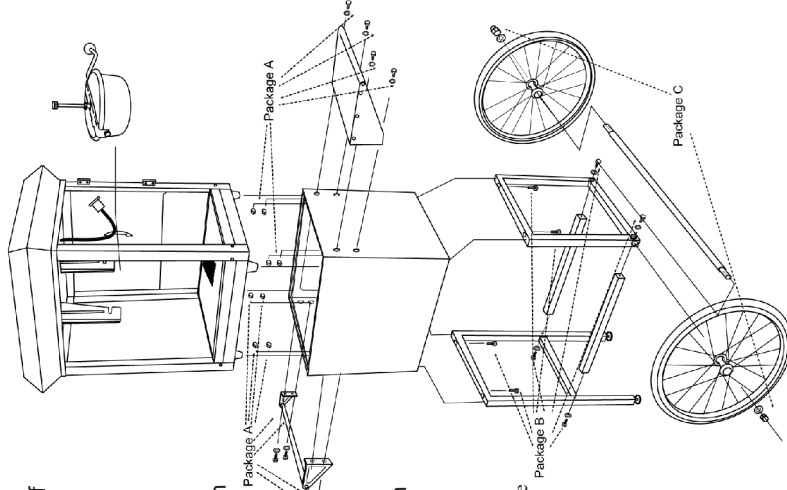
Switch OFF (II & III). Pour 300 to 500 ml of water (NO detergent is necessary) into kettle. Switch ON the stirrer (II) & heater (III) again to boil the water and let the stirrer turn in order to remove excess amounts of oil stuck to the kettle. Pour out the water after about 1 to 2 minutes of boiling. **Caution: Hot kettle!** Repeat the same procedure 2 to 3 times for best results.

Standard cleaning procedure:

1. Repeat the above "Quick cleaning procedure" until the popper is relatively clean.
2. Switch off the machine and wait for the popping pot to cool. Clean the inside and outside of the pot using a soft brush and wet towel. (NEVER immerse the pot into water.)

Assembly Procedures:

1. Use bolts & washers (Package B) provided to connect the long stand (F) and the 2 square poles (E) together.
2. Connect the completed above (1) with the short stand (G) by the bolts & washers provided (Package B).
3. Insert axle (H) into short stand. Place washers (Package C) onto each side of the wheels (J) and then secure with round cap nuts using wrenches provided (Package D).
4. Turn the storage cabinet (K) upside down for more convenient assembly. Insert both ends of the short and long stands into the bottom of (H) and then fix by bolts in (Package B).
5. Turn the complete unit back to upright position. Install the handrail (D) onto the left side & the working platform (C) onto the right side by bolts & nuts with washers included in Package A.
6. Place the main unit (A) onto the top side of the storage cabinet. (Caution: Power cord outlet should be inserted into the u-shape position.)
7. Hook the Pot (B) onto the hanger. (Caution: Roller bar should be on the door side, also be sure that gears between pot and ceiling match perfectly).
8. Connect the power plug from the ceiling with the socket on the bottom of the pot.
9. Open the door of the storage cabinet and use the spring shaft beneath the main unit to connect the main unit with the storage base.



Please Note: Main unit alone could be used as a bar style popper and placed onto a stable countertop for operation.

User's Manual

Please follow these procedures for the best operation results and long machine life:

- 1) Make sure the popcorn maker is unplugged before you do any of the following...
- 2) Before using the unit, please check the electrical specs. Be sure that your power source matches the rating label specified next to the power cord).
- 3) Clean the internal surface of the popping pot and main unit surfaces.
- 4) Main unit has 3 function switches as follows:



Spot light and warmer (I)



Stirrer (II)



Stainless steel Pot heater (III)

- 5) Hook the Pot onto the hanger of the main unit.
- 6) Plug in the power cord to the popcorn maker.
- 7) Switch on the light and heater (I & III), and then add a suitable amount of butter or oil (Fig. 1). While amount is dependent upon your taste, please do not exceed 1/2 oz.
- 8) Preheat kettle for 3 to 4 minutes with oil added (until steam comes out from the pot). (Measure amount of kernels by using the measuring scoop provided. Use one scoop per batch. Please Note: DO NOT USE LIQUID SUGAR OR HONEY AS THIS MAY DAMAGE KETTLE AND CAUSE SMOKING AND/OR INJURY FROM HOT SUGAR.

9) Open the lid and add popcorn. (Fig. 2) **Caution: Lid may be hot; use hand protection such as oven mittens or potholders.**

10) Switch ON the Stirrer (II). (Fig. 3)

11) Close the door carefully.

12) Popcorn starts popping out through the lid after about 2 to 3 minutes. (Fig. 4)

13) Switch OFF the Stirrer & Heater (II & III) when popping is completed (No more popping sounds from kettle). Rotate the roller bar of the pot and pour out all remaining popcorn.

14) Keep Heater switch (III) OFF if the unit is not in continuous use. Keep only the spot light and warmer ON; this will keep the popcorn warm, dry and tasty.

15) Serve your popcorn with popcorn scoop provided.

16) Please remember to unplug machine from power supply when not in use.

17) Repeat step 7 to 10 to continue popping.